

Quick Start Guide

(8200-1994-03_C0)

Tyco Holis JSE Economical 4MP Bullet Camera

(Product Code: JSE04-B02-OI01)

In the box

- 1 x Camera
- 1 x Quick Start Guide
- 4 x PA 4x25mm tapping screws
- 1 x PWM 3x5mm machine screw
- 1 x Mounting template
- 1 x Silicone plug
- 4 x 6x25mm Plastic screw anchors

Installation tools

- Screwdriver
- Drill



Figure 1: Camera parts

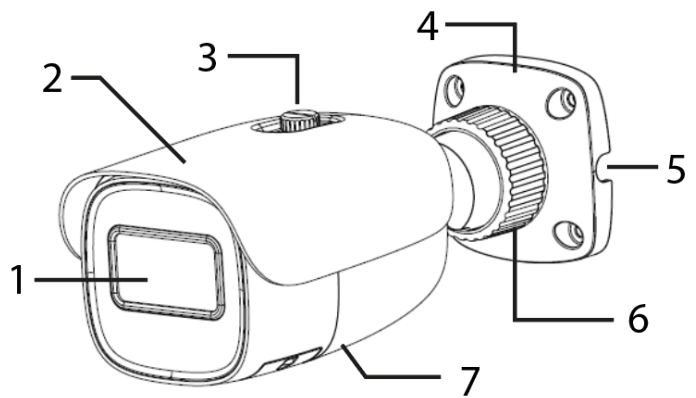


Figure 1

Table 1: Camera part descriptions

Number	Camera part description
1	Camera lens
2	Sun shield cover
3	Sun shield cover adjustment thumb-screw
4	Camera base
5	Cable side entry slot
6	Camera fixing ring
7	Camera body (Buttons and SD card slot are located on the underside of the camera). Note: You need to remove the cover to access them.

Figure 2: Cable connections

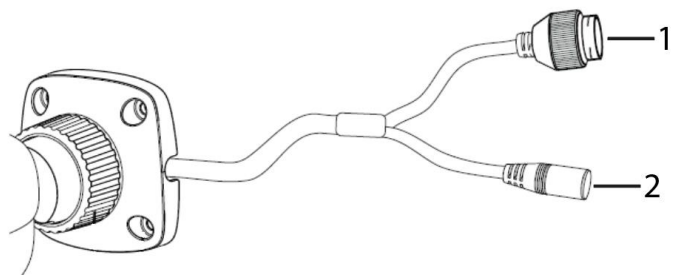


Figure 2

Table 2: Cable connection descriptions

Number	Cable connection description
1	Ethernet Connector and also supports PoE
2	Power Connector (12V DC @ 1A)

Figure 3: Micro SD card slot and reset button

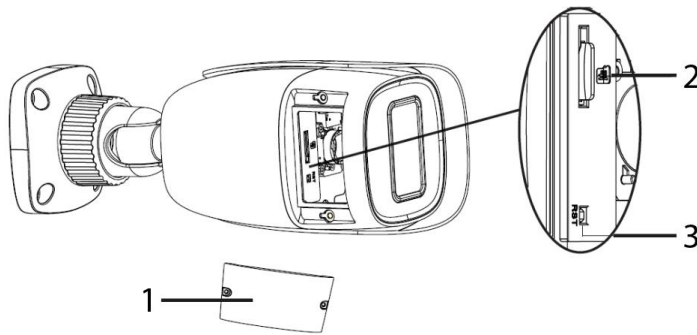


Figure 3

Figure 3: Micro SD card slot and reset button (continued)

Note: Remove the two screws on the camera cover (1) (Figure 3) to access the buttons. **Securely attach the cover when finished.**

Table 3: Micro SD card slot and reset button descriptions

Number	Camera button description
1	Camera button cover
2	Micro SD Card Slot
3	Reset button (Hold for more than 3 seconds)

Quick reference

- Default IP: 192.168.1.168 (DHCP enabled).
- Default Username / Password: admin / admin
- Power: 12VDC **or** PoE 48VDC
- Use Internet Explorer 11 web browser.

Mounting the camera to a wall or ceiling

Ensure that the wall or ceiling is strong enough to withstand three times the weight of the camera.

1. Place the mounting template on the surface that you want to attach the camera.
2. On the surface drill four Ø 4.6mm holes and cut out a cable hole as per the markings identified on the mounting template.
3. Securely place the four screw anchors into the four holes.
4. Place the camera cable through the cable hole on the mounting surface.

OR

Use the cable side entry hole slot (5) (Figure 1) on the camera base.

5. **Note:** If you are **not** using the cable side entry slot ensure that the cable side entry plug is inserted into the slot on the camera base.

Mounting the camera to a wall or ceiling (continued)

6. Hold the camera base (4) (Figure 1) up to the mounting template and align the four holes on the camera base with the four holes on the mounting surface.
7. Insert the four screws into the four holes on the camera base and securely attach the camera to the mounting surface. **Note:** The camera must be connected to earth ground.
8. Attach a ring-type terminal to the end of the ground wire (2) (Figure 4) (not provided). Insert the machine screw through the ring terminal and attach to the camera (1) (Figure 4).

Figure 4: Earth wire connection

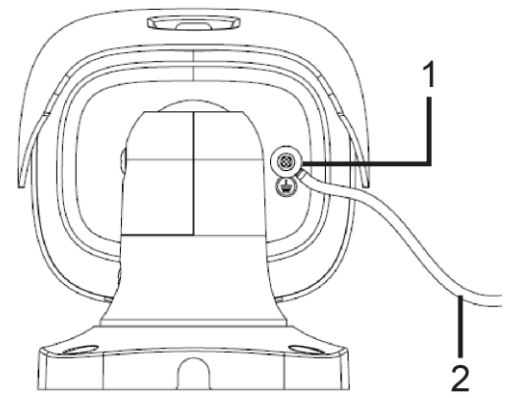


Figure 4

Mounting the camera to a wall or ceiling (continued)

9. To power up the camera:

- Connect a 12V DC power supply to the power connector on the camera cable.
- OR**
- Connect a shielded PoE cable to the ethernet / PoE slot on the camera cable.

Adjusting the sun shield

1. Loosen the thumb-screw (3) (Figure 1) to move the sun shield cover forward and backward over the camera body (7) (Figure 1).

Note: You must securely lock the thumb screw to ensure that the sun shield cover holds the modified position.

Warnings

- If the product does not work properly, please contact your dealer or the nearest service centre. Never attempt to disassemble the camera yourself. (We shall not be responsible for any problems caused by unauthorized repair or maintenance.)
- In the use of the product, you must be strict compliance with the electrical safety regulations of the nation and region. When the product is mounted on wall or ceiling, the device shall be firmly fixed.
- Do not allow water or liquid intrusion into the camera.
- Do not use camera beyond specified voltage range.
- Do not drop the camera or subject it to physical shock.
- Avoid touching the camera lens.
- If cleaning is necessary, please use clean cloth to wipe it gently.
- Do not aim the camera at the sun or extra bright place.
- Do not place the camera in extremely hot, cold (the operating temperature shall be $-30^{\circ}\text{C}\sim 60^{\circ}\text{C}$), dusty or damp locations, and do not expose it to high electromagnetic radiation.
- To avoid heat accumulation, good ventilation is required for operating environment.

Figure 5: Pan, tilt and rotate screws

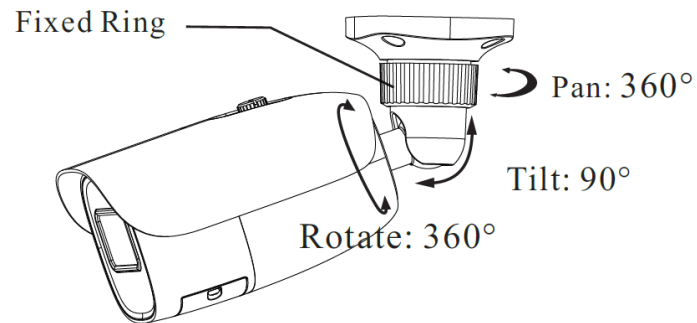


Figure 5

© 2021 Johnson Controls. All rights reserved.

JOHNSON CONTROLS, TYCO, and HOLIS are trademarks and/or registered trademarks. Unauthorized use is strictly prohibited.