

## Quick Start Guide

(8200-1994-05\_C0)

Tyco Holis JSE Economical 4MP Mini Dome Cameras

(Product Code: JSE04-D10-OI01 and JSE04-D30-OI03)

### In the box

- 1 x Camera
- 1 x Quick Start Guide
- 4 x 4x25mm tapping screws
- 1 x Mounting template
- 4 x 6x25mm Plastic screw anchors
- 1 x Silicone plug
- 1 x L-Key Hexagonal wrench
- 1 x Regulatory Document

### Installation tools

- Screwdriver
- Drill
- L-Key Hexagonal wrench



Table 1: Camera part descriptions

Number	Camera part description
1	Camera base
2	Camera cover
3	Camera dome

Figure 2: Cable connections

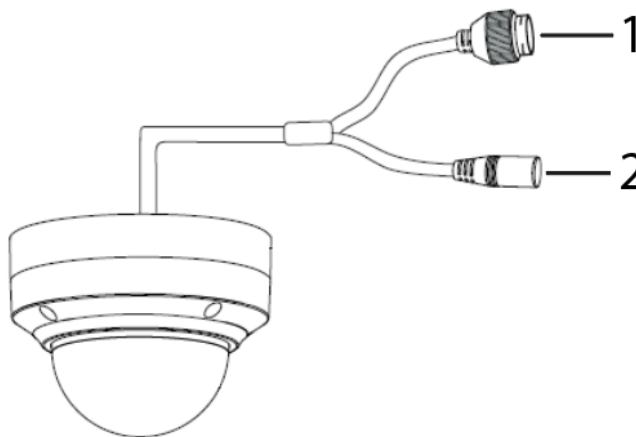


Figure 2

Figure 3: Micro SD card slot and reset button (continued)

**Note:** Remove the four screws on the camera cover (1) (Figure 1) to access the buttons. **Securely attach the cover when finished.**

Table 3: Micro SD card slot and reset button

Number	Camera button description
1	Micro SD card slot
2	Reset button (Hold for more than 3 seconds)

### Quick reference

- Default IP: 192.168.1.168 (DHCP enabled).
- Default Username / Password: admin / admin
- Power: 12VDC **or** PoE
- Use Internet Explorer 11 web browser.

### Mounting the camera to a wall or ceiling

Ensure that the wall or ceiling is strong enough to withstand three times the weight of the camera.

1. Place the mounting template on the surface that you want to attach the camera.
2. On the surface drill four Ø 4.6mm holes and cut out a cable hole as per the markings identified on the mounting template.
3. Securely place the four screw anchors into the four holes.
4. Remove the four screws on the camera cover (2) (Figure 1) to remove the cover from the camera base (1) (Figure 1).
5. Place the camera cable through the cable hole on the mounting surface.

#### OR

Use the cable side entry hole slot on the camera base.

### Mounting the camera to a wall or ceiling (continued)

**Note:** If you are not using the cable side entry slot then ensure that the cable side entry plug is inserted into the slot on the camera base.

6. Hold the camera base (1) (Figure 1) up to the mounting template and align the four holes on the camera base with the four holes on the mounting surface.
7. Insert the four screws into the four holes on the camera base and securely attach the camera to the mounting surface.
8. Hold the camera base cover up to the camera base and align the four holes on the camera cover with the four holes on the camera base.
9. Insert the screws into the four holes and securely attached the camera cover to the camera base.
10. To power up the camera:
  - Connect a 12V DC power supply to the power connector on the camera cable.
  - OR**
  - Connect a shielded PoE cable to the ethernet / PoE slot on the camera cable.

Figure 1: Camera parts

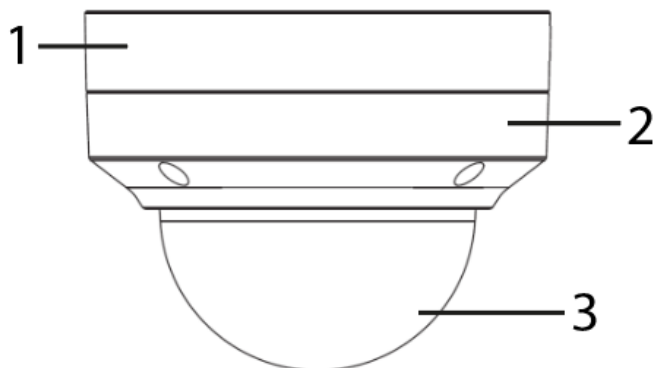


Figure 1

Table 2: Cable connection descriptions

Number	Cable connection description
1	Ethernet Connector and also supports PoE
2	Power Connector (12V DC @ 1A)

Figure 3: Micro SD card slot and reset button

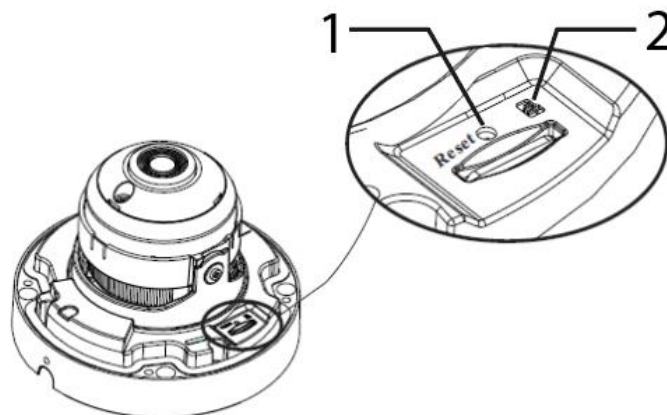


Figure 3

Figure 5: Camera pan, tilt and rotate

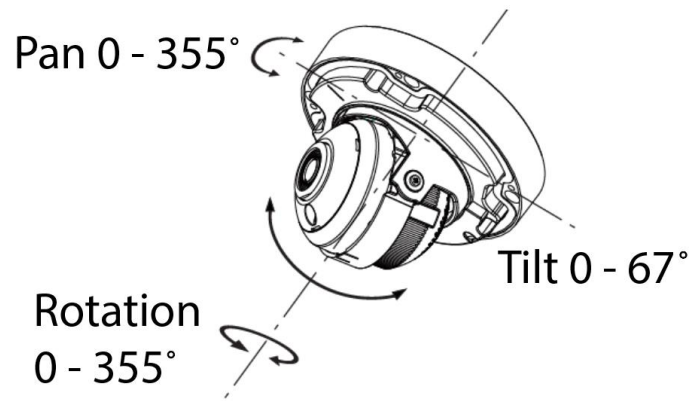


Figure 4

### Warnings

- If the product does not work properly, please contact your dealer or the nearest service centre. Never attempt to disassemble the camera yourself. (We shall not be responsible for any problems caused by unauthorized repair or maintenance).
- In the use of the product, you must be strict compliance with the electrical safety regulations of the nation and region. When the product is mounted on wall or ceiling, the device shall be firmly fixed.
- Do not allow water or liquid intrusion into the camera.
- Do not use camera beyond specified voltage range.
- Do not drop the camera or subject it to physical shock.
- Avoid touching the camera lens.
- If cleaning is necessary, please use clean cloth to wipe it gently.
- Do not aim the camera at the sun or extra bright place.
- Do not place the camera in extremely hot, cold (the operating temperature shall be  $-30^{\circ}\text{C}\sim 60^{\circ}\text{C}$ ), dusty or damp locations, and do not expose it to high electromagnetic radiation.
- To avoid heat accumulation, good ventilation is required for operating environment.