

### Quick Start Guide

(8200-1994-01\_D0)

Tyco Holis JSE Economical 4MP Turret Camera

(Product Code: JSE04-T02-BI01)

#### In the box

- 1 x Camera
- 1 x Quick Start Guide
- 3 x PA 4x25mm Tapping screws
- 1 x L-Key Hexagonal wrench
- 1 x Mounting template
- 3 x 6x25mm Plastic screw anchors
- 3 x Silicone plugs
- 1 x Regulatory Document

#### Installation tools

- Screwdriver
- Drill
- L-Key Hexagonal wrench



Figure 1: Camera parts

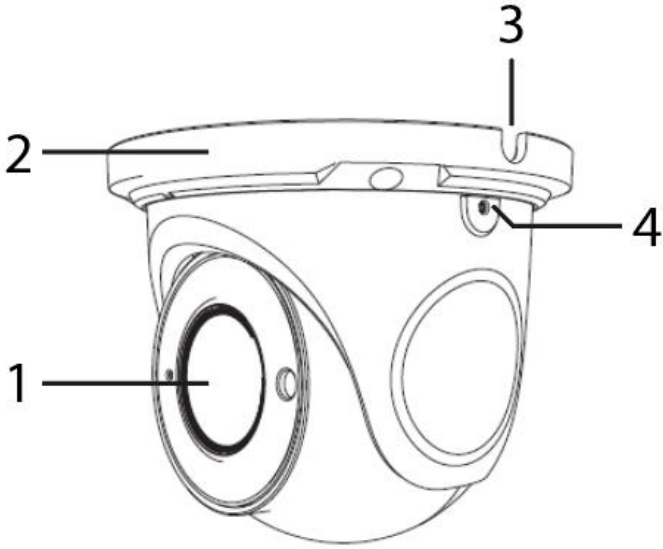


Figure 1

Table 1: Camera part descriptions

Number	Camera part description
1	Camera lens
2	Camera base
3	Cable side entry slot
4	Fixed screw

Figure 2: Cable connections

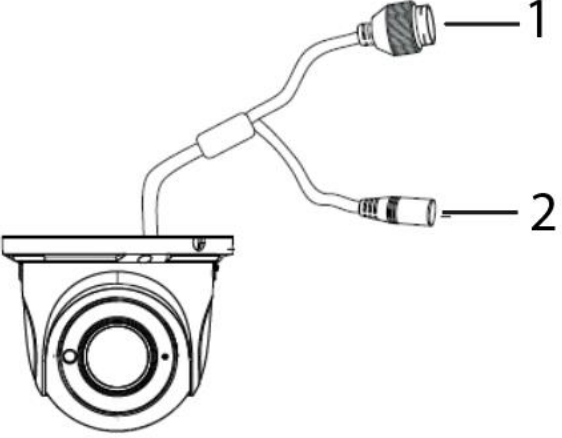


Figure 2

Table 2: Cable connection descriptions

Number	Cable connection description
1	Ethernet Connector and also supports PoE
2	Power Connector (12V DC @ 1A)

Figure 3: Micro SD card slot and reset button

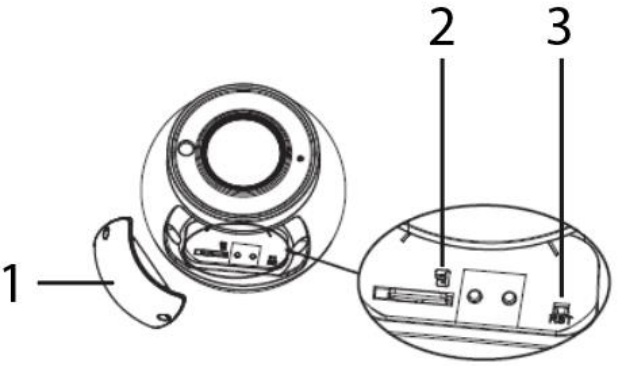


Figure 3

Figure 3: Micro SD card slot and reset button (continued)

**Note:** Remove the two screws on the camera cover (1) (Figure 3) to access the buttons. **Securely attach the cover when finished.**

Table 3: Micro SD card slot and reset button descriptions

Number	Camera button description
1	Camera button cover
2	Micro SD Card slot
3	Reset button (Hold for more than 3 seconds)

#### Quick reference

- Default IP: 192.168.1.168 (DHCP enabled).
- Default Username / Password: admin / admin
- Power: DC12V or PoE
- Use Internet Explorer 11 web browser.

#### Mounting the camera to a wall or ceiling

Ensure that the wall or ceiling is strong enough to withstand three times the weight of the camera.

1. Place the mounting template on the surface that you want to attach the camera.
2. On the surface drill three Ø 4.5mm holes and cut out a cable hole as per the markings identified on the mounting template.
3. Securely place the three screw anchors into the three holes.
4. Place the camera cable through the cable hole on the mounting surface and ensure that the three cable side entry plugs are inserted into the three slots on the camera base (2) (Figure 1).

**OR**

Use a cable side entry hole slot (3) (Figure 1) on the camera base and ensure that two of the cable side entry plugs are inserted into the remaining two slots on the camera base.

#### Mounting the camera to a wall or ceiling (continued)

5. Hold the camera up to the mounting template and align the three holes on the camera base with the three holes on the mounting surface.
6. Insert the three tapping screws into the three holes on the camera base and securely attach the camera to the mounting surface.
7. To power up the camera:
  - Connect a 12V DC power supply to the power connector on the camera cable.

**OR**

  - Connect a shielded PoE cable to the ethernet / PoE slot on the camera cable.

### Adjusting the camera position

1. Use the L-key hexagonal wrench to:
  - i. Unlock the screw (1) (Figure 4) and pan the camera field of view up to 360 degrees.

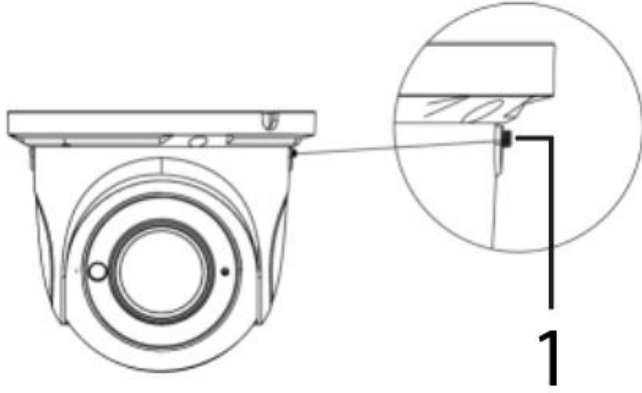


Figure 4

**Note:** You must securely lock the screw to ensure that the camera holds the modified position.

### Warnings

- If the product does not work properly, please contact your dealer or the nearest service centre. Never attempt to disassemble the camera yourself. (We shall not be responsible for any problems caused by unauthorized repair or maintenance.)
- In the use of the product, you must be strict compliance with the electrical safety regulations of the nation and region. When the product is mounted on wall or ceiling, the device shall be firmly fixed.
- Do not allow water or liquid intrusion into the camera.
- Do not use camera beyond specified voltage range.
- Do not drop the camera or subject it to physical shock.
- Avoid touching the camera lens.
- If cleaning is necessary, please use clean cloth to wipe it gently.
- Do not aim the camera at the sun or extra bright place.
- Do not place the camera in extremely hot, cold (the operating temperature shall be -30°C~60°C), dusty or damp locations, and do not expose it to high electromagnetic radiation.
- To avoid heat accumulation, good ventilation is required for operating environment.

### Adjusting the camera zoom and focus

1. Use the screwdriver to remove the two screws on the cover.
2. Rotate the 'Focus' and / or 'Zoom' buttons (Figure 5) as desired.

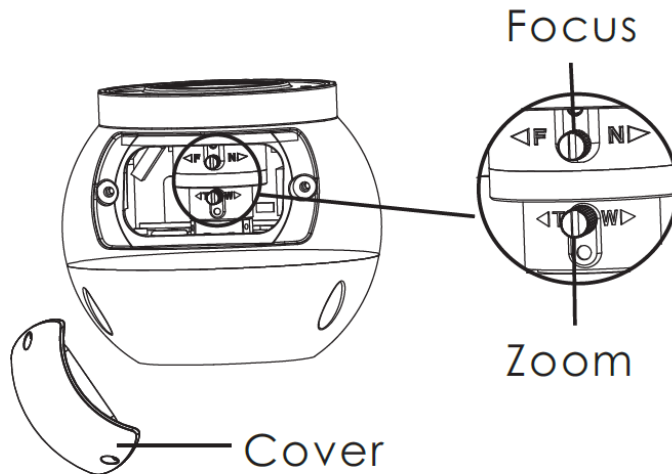


Figure 5

**Note:** You must securely attach the cover when finished adjusting the Focus or Zoom.

© 2021 Johnson Controls. All rights reserved.

JOHNSON CONTROLS, TYCO, and HOLIS are trademarks and/or registered trademarks. Unauthorized use is strictly prohibited.