

Quick Start Guide

(8200-1994-02_C0)

Tyco Holis JSV Versatile 2MP Varifocal Bullet Camera

(Product Code: JSV02-B04-OI01)

In the box

- 1 x Camera
- 1 x Quick Start Guide
- 4 x PA 4x25mm tapping screws
- 1 x PWM 3x5machine screw
- 1 X Mounting template
- 4 x 6x25mm Plastic screw anchors
- 1 x L-Key Hexagonal wrench
- 1 x CVBS & DC IN cable
- 1 x Regulatory Document

Installation tools

- Screwdriver
- Drill
- L-Key Hexagonal wrench



Figure 1: Camera parts

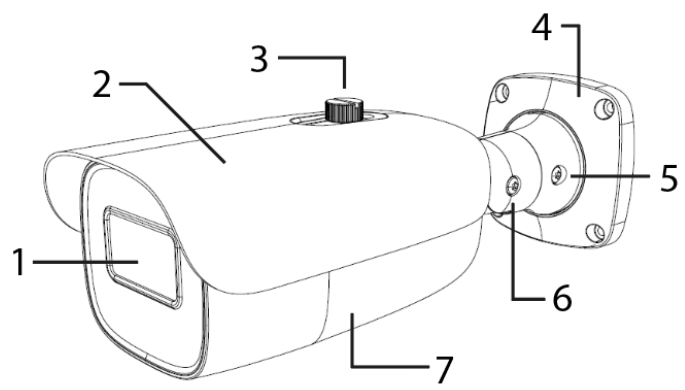


Figure 1

Table 1: Camera part descriptions

No.	Camera part description
1	Camera lens
2	Sun shield cover
3	Sun shield cover adjustment thumb-screw
4	Camera base
5	Pan Adjustment connection
6	Tilt Adjustment connection
7	Camera body (Buttons and SD card slot are located on the underside of the camera). Note: You will need to remove the cover to access them.

Figure 2: Cable connections

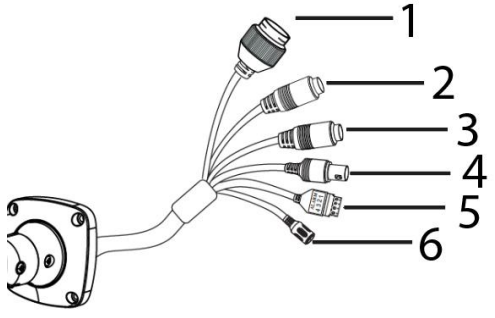


Figure 2

Table 2: Cable connection descriptions

No.	Cable connection description
1	Ethernet Connector and also supports PoE
2	Audio Input
3	Audio Output
4	CVBS Video Output
5	Alarm Input / Output
6	Power Connector (12V DC @ 1A)

Figure 3: Micro SD card slot and camera buttons

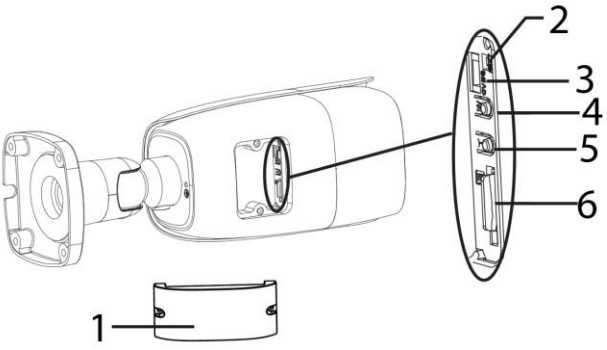


Figure 3

Figure 3: Micro SD card slot and camera buttons (continued)

Note: Remove the two screws on the camera cover (1) (Figure 3) to access the buttons. **Securely attach the cover when finished.**

Table 3: Camera button descriptions and SD card slot

Number	Camera button description
1	Camera button cover
2	Reset button (Hold for more than 3 seconds)
3	CVBS & DC IN Interface
4	Zoom Out
5	Zoom In
6	Micro SD Card slot

Quick reference

- Default IP: 192.168.1.168 (DHCP enabled).
- Default Username / Password: admin / admin
- Power: AC24V / 12VDC **or** PoE 48VDC
- Use Internet Explorer 11 web browser.

Mounting the camera to a wall or ceiling

Ensure that the wall or ceiling is strong enough to withstand three times the weight of the camera.

1. Place the mounting template on the surface that you want to attach the camera.
2. On the surface drill four Ø 4.6mm holes and cut out a cable hole as per the markings identified on the mounting template.
3. Securely place the four screw anchors into the four holes.
4. Place the camera cable through the cable hole on the mounting surface.

Mounting the camera to a wall or ceiling (continued)

5. Hold the camera base (4) (Figure 1) up to the mounting template and align the four holes on the camera base with the four holes on the mounting surface.
6. Insert the four screws into the four holes on the camera base and securely attach the camera to the mounting surface.
Note: The camera must be connected to earth ground.
7. Attach a ring-type terminal to the end of the ground wire (2) (Figure 4) (not provided). Insert the machine screw through the ring terminal and attach to the camera (1) (Figure 4).

Figure 4: Earth wire connection

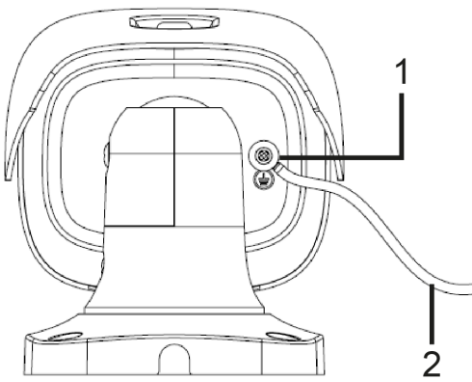


Figure 4

Mounting the camera to a wall or ceiling (continued)

8. To power up the camera:

- Connect an AC24V or 12V DC power supply to the power connector on the camera cable.
- OR**
- Connect a shielded PoE cable to the ethernet / PoE slot on the camera cable.

Adjusting the sun shield

1. Loosen the thumb-screw (3) (Figure 1) to move the sun shield cover forward and backward over the camera body (6) (Figure 1).
Note: You must securely lock the thumb screw to ensure that the sun shield cover holds the modified position.

Adjusting the camera position

1. Use the L-key hexagonal wrench to:
 - i. Unlock the pan screw (Figure 5) and pan the camera field of view up to 360 degrees.
 - ii. Unlock the tilt screw (Figure 5) to tilt the camera body up to 90 degrees.
 - iii. Unlock the rotate screw (Figure 5) and rotate the camera body up to 360 degrees.

Note: You must securely lock each screw to ensure that the camera holds the modified position.

Warnings

- If the product does not work properly, please contact your dealer or the nearest service centre. Never attempt to disassemble the camera yourself. (We shall not be responsible for any problems caused by unauthorized repair or maintenance.)
- In the use of the product, you must be strict compliance with the electrical safety regulations of the nation and region. When the product is mounted on wall or ceiling, the device shall be firmly fixed.
- Do not allow water or liquid intrusion into the camera.
- Do not use camera beyond specified voltage range.
- Do not drop the camera or subject it to physical shock.
- Avoid touching the camera lens.
- If cleaning is necessary, please use clean cloth to wipe it gently.
- Do not aim the camera at the sun or extra bright place.
- Do not place the camera in extremely hot, cold (the operating temperature shall be $-30^{\circ}\text{C}\sim 60^{\circ}\text{C}$), dusty or damp locations, and do not expose it to high electromagnetic radiation.
- To avoid heat accumulation, good ventilation is required for operating environment.

Figure 5: Pan, tilt and rotate screws

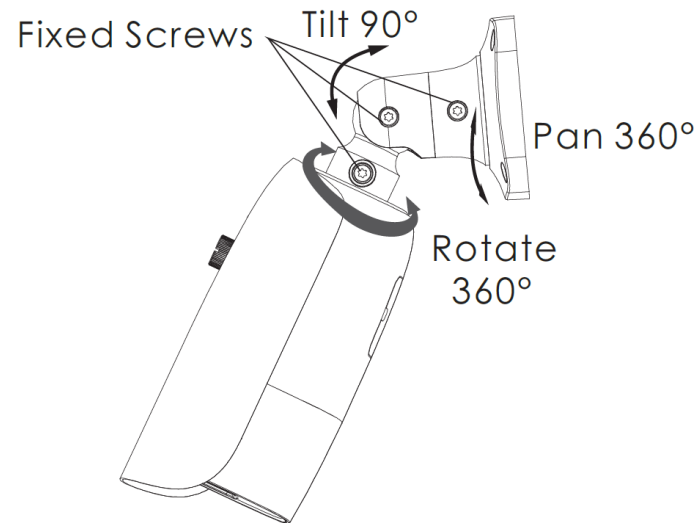


Figure 5

© 2021 Johnson Controls. All rights reserved.

JOHNSON CONTROLS, TYCO, and HOLIS are trademarks and/or registered trademarks. Unauthorized use is strictly prohibited.