

Quick Start Guide

(8200-1994-04_CO)

Tyco Holis JSV Versatile 2MP & JSA Advance 4MP IR Dome Cameras

(Product Code: JSV02-D02-OI01 and JSA04-D02-OI01)

In the box

- 1 x Camera
- 1 x Quick Start Guide
- 4 x PA 4x25mm tapping screws
- 1 x Mounting template
- 4 x 6x29mm Plastic screw anchors
- 1 x Sponge
- 1 x L-Key Hexagonal wrench
- 1 x CVBS & DC IN cables
- 1 x Regulatory Document

Installation tools

- Screwdriver
- Drill
- L-Key Hexagonal wrench



Figure 1: Camera parts

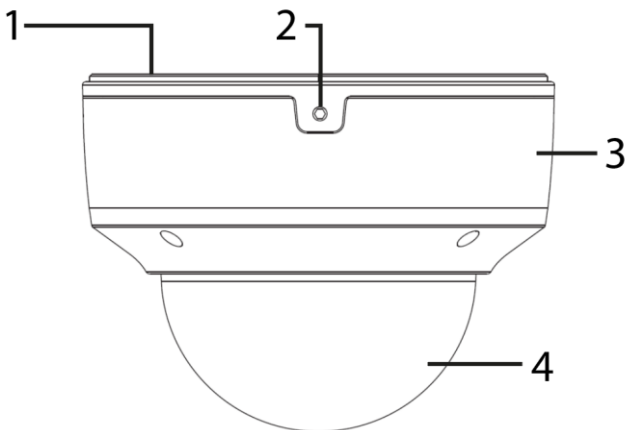


Figure 1

Table 1: Camera part descriptions

Number	Camera part description
1	Camera base
2	Lock screw
3	Camera dome cover
4	Camera dome

Figure 2: Cable connections

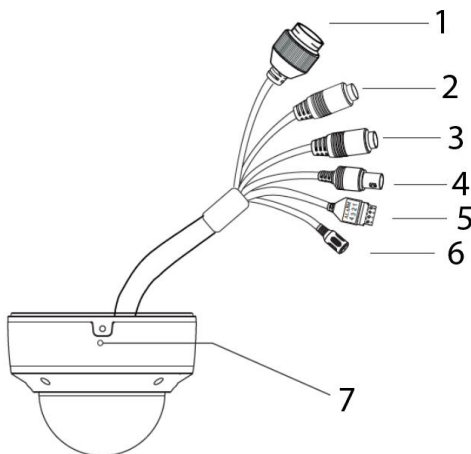


Figure 2

Table 2: Cable connection descriptions

Number	Cable connection description
1	Ethernet Connector and also supports PoE
2	Audio Input (Mic)
3	Audio Output (HP)
4	CVBS Video Output
5	Alarm Input / Output <ul style="list-style-type: none"> • 1 – Alarm OUT COM • 2 – Alarm OUT Open • 3 – Alarm IN • 4 – Alarm IN GND
6	Power Connector (12V DC @ 1A)
7	Microphone

Figure 3: Micro SD card slot and camera buttons

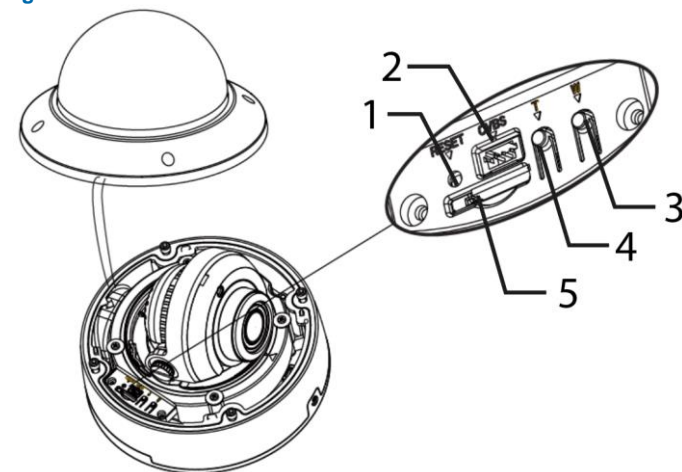


Figure 3

Figure 3: Micro SD card slot and camera buttons (continued)

Note: Remove the four screws on the camera cover (3) (Figure 1) to access the buttons. **Securely attach the cover when finished.**

Table 3: Camera button descriptions and SD card slot

Number	Camera button description
1	Reset button (Hold for more than 3 seconds)
2	DC IN & CVBS Interface
3	Zoom -
4	Zoom +
5	Micro SD card slot

Quick reference

- Default IP: 192.168.1.168 (DHCP enabled).
- Default Username / Password: admin / admin
- Power: 12VDC **or** PoE 48VDC (2MP also supports 24V AC).
- Use Internet Explorer 11 web browser.

Mounting the camera to a wall or ceiling

Ensure that the wall or ceiling is strong enough to withstand three times the weight of the camera.

1. Place the mounting template on the surface that you want to attach the camera.
2. On the surface drill four Ø 6mm holes and cut out a Ø 22mm cable hole as per the markings identified on the mounting template.
3. Securely place the four screw anchors into the four holes.
4. Remove the four screws on the camera cover (3) (Figure 1) and the fixing screw (2) (Figure 1) to remove the cover from the camera base.

Mounting the camera to a wall or ceiling (continued)

5. Place the camera cable through the cable hole on the mounting surface.
6. Align the four holes on the sponge (1) (Figure 4) with the four holes on the camera base (2) (Figure 4).

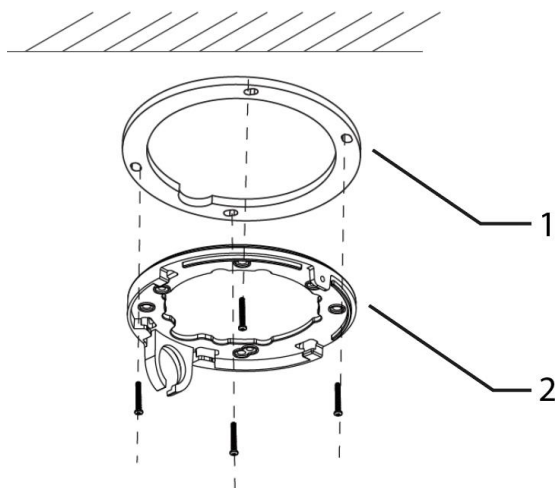


Figure 4

7. Align the four holes on the sponge and camera base with the four holes on the mounting template.

Mounting the camera to a wall or ceiling (continued)

8. Insert the four screws into the four holes on the camera base and securely attach the sponger and camera base to the mounting surface
9. Hold the camera base cover up to the camera base and align the four holes on the camera cover with the four holes on the camera base.
10. Insert the screws into the four holes and securely attach the camera cover to the camera base.
11. Insert the fixing screw (2) (Figure 1) into the hole on the camera base and securely attach it to the camera base.
12. To power up the camera:
 - Connect a 12V DC power supply to the power connector on the camera cable.
 - OR**
 - Connect a shielded PoE cable to the ethernet / PoE slot on the camera cable.

Figure 5: Camera pan, tilt and rotate

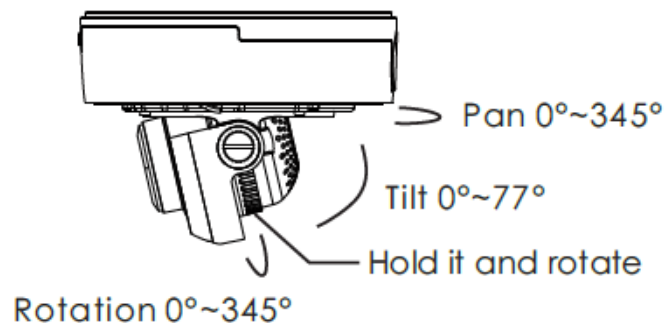


Figure 5

Warnings

- If the product does not work properly, please contact your dealer or the nearest service centre. Never attempt to disassemble the camera yourself. (We shall not be responsible for any problems caused by unauthorized repair or maintenance.)
- In the use of the product, you must be strict compliance with the electrical safety regulations of the nation and region. When the product is mounted on wall or ceiling, the device shall be firmly fixed.
- Do not allow water or liquid intrusion into the camera.
- Do not use camera beyond specified voltage range.
- Do not drop the camera or subject it to physical shock.
- Avoid touching the camera lens.
- If cleaning is necessary, please use clean cloth to wipe it gently.
- Do not aim the camera at the sun or extra bright place.
- Do not place the camera in extremely hot, cold (the operating temperature shall be -30°C~60°C), dusty or damp locations, and do not expose it to high electromagnetic radiation.
- To avoid heat accumulation, good ventilation is required for operating environment.

© 2021 Johnson Controls. All rights reserved.

JOHNSON CONTROLS, TYCO, and HOLIS are trademarks and/or registered trademarks. Unauthorized use is strictly prohibited.